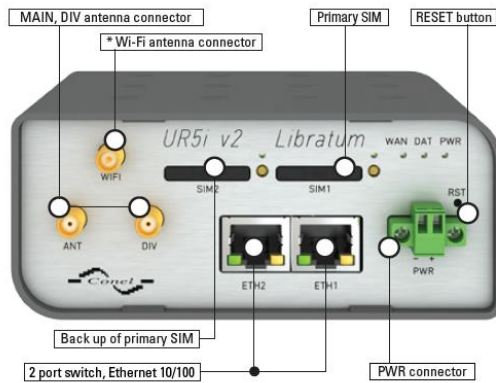


Anytime, Anything, Anywhere, but always securely connected.

UR5i v2 LIBRATUM

www.VITRIKO.com



- 2x 10/100 Ethernet ports with two possible modes: 2-port Ethernet switch, 2x independent LAN
- Optional* Wi-Fi: AP or client mode
- Dual-SIM fail over
- Antenna Rx Diversity
- Temperature up to +75°C
- Metal or plastic casing

Power, Consumption, Environmental, IP cover	
Power supply	10 – 30V
Consumption - Idle / Average / Peak	2,3 / 3,5 / 5,5 W
Temperature range – Operating / Storage	-40 to +75 °C / -40 to +85 °C
Humidity (noncondensing)	0 to 95%
IP cover – Standard	IP30

Mechanical	
Case with DIN rail	Metal / Plastic
Dimensions of metal casing	42 x 80 x 113mm
Dimensions of plastic casing	50 x 83 x 116mm
Weight - Metal / Plastic	280g / 150g

Ports, LED, Antennas	
Port 1, Port 2	Ethernet 10/100
SIM	2 Mini SIMs (2FF)
LED	WAN / DAT / PWR
2x Antenna, Rx Diversity	SMA connectors
WiFi antenna - *optional	R-SMA connector

UR5i v2 Libratum transfer technology	
GSM/GPRS/EDGE	Quad-Band 850/900/1800/1900MHz
UMTS/HSPA+	Five-Band 800/850/900/1900/2100MHz
3GPP release 6,7	14.4 / 5.7Mbps

Features	
Networking	DHCP, NAT/PAT, VRRP, DynDNS client, VLAN, QoS, PPPoE Bridge, Dial-in, NTP client-server, IGMP, BGP, OSPF, RIP, SMTP
VPN tunneling	IPSec, OpenVPN, L2TP, PPTP, GRE, EasyVPN
Security	HTTPS, SSH, HTTP Authentication, Firewall, SFTP (FW 5.0)
Configuration	Web page, Telnet Automatic configuration from HTTP or FTP server Automatic firmware update from HTTP or FTP server StartUp script BackUp configuration Restore configuration Four configuration switchable profiles
Diagnostic	LED - PWR, DAT, WAN, SIM1, SIM2, ETH SNMP protocol Network status UMTS/GPRS status DHCP status IPSec status System log Two last month's statistics SMS Control
User software	Linux system open and ready for customer software modules StartUp / Down scripts Additional SW modules and the ability to create your own SW module



ENABLING CONNECTED INTELLIGENCE